

280W 3 in 1 Moving Head Lighting



User manual

Thanks for choosing our goods please read this manual carefully before your operating

Item

Item	02
1.Product Introduce	03
2.Fixture Size	03
3.Product Part Note	04
4.Safety Information	05
5.Packing And Shipping	11
6.AC Power	12
7.Lamp Model And Changing	13
8.Color Wheel And Gobo Wheel	14
9.Control Panel	15
10.Control Panel Operate	16
11.Channels Introduction	19

STATEMENT

The product is good packing when ship out the factory. All users should strictly abide by the warnings and instructions stated in this manual, any damage and results due to misuse and the neglect of this operating manual will be excluded from the deal responsibility this manual will not informed in additionally if have technical changes.

1.Product Introduce

Thank you for choose this 280w beam spot product, this model is the moving head light which is the latest development of the smart, efficient products, beautiful shape, smooth, combined with the advanced technology of today's stage lighting products with international advanced electronic control technology and excellent user-friendly industrial design , fully comply with CE standard, accepted international standard DMX512 signal mode.

*Model Name:280 3in1

*Light Source:Osram HRI 280w/Yodn 10R;

*DMX Channel:16/24CHs;

*Horizontal scan: 540 °, vertical scanning 270 ° (16 bit precision scanning);

*Color wheel:13color +Open ;

*Rotating gobo wheel: 9 rotating+Open;

* Static gobos wheel:14 aluminum gobos + open;

* 0 degree parallel beam;

*Beam zoom: 2.5°e-10°;Spot zoom: 5°-20°;

*Prisms1:6 facet linear prisms;

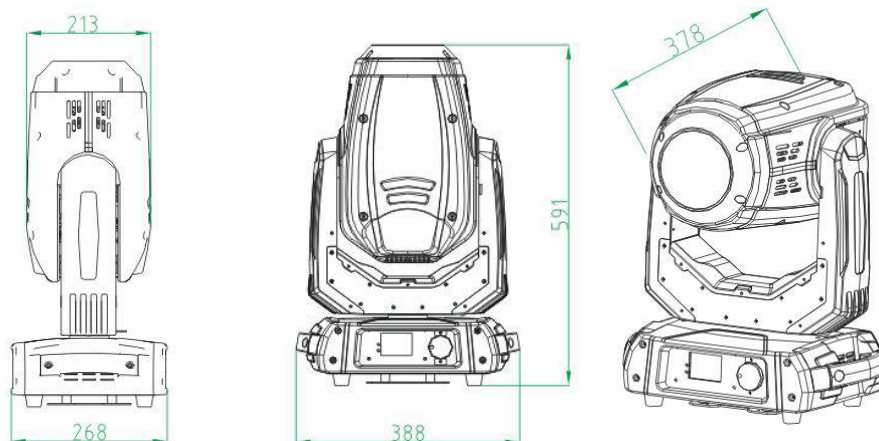
*Prisms2: 8 facet circular prisms;

*Dimmer:0-100% mechanical dimmer, support mechanical strobe and variable strobe effect, strobe macro function,with overheating protection function.

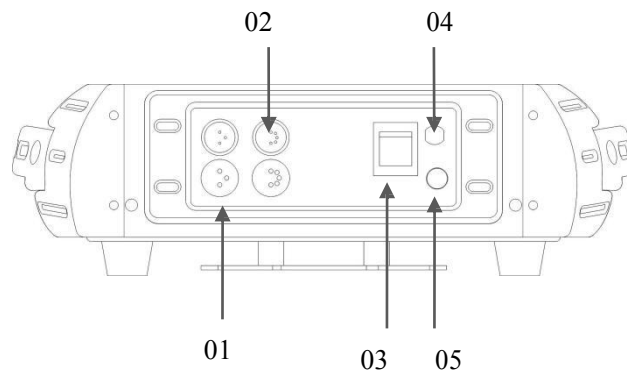
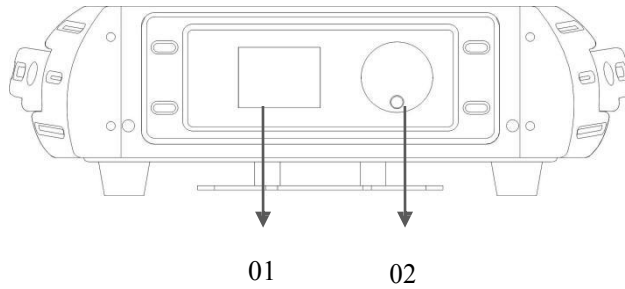
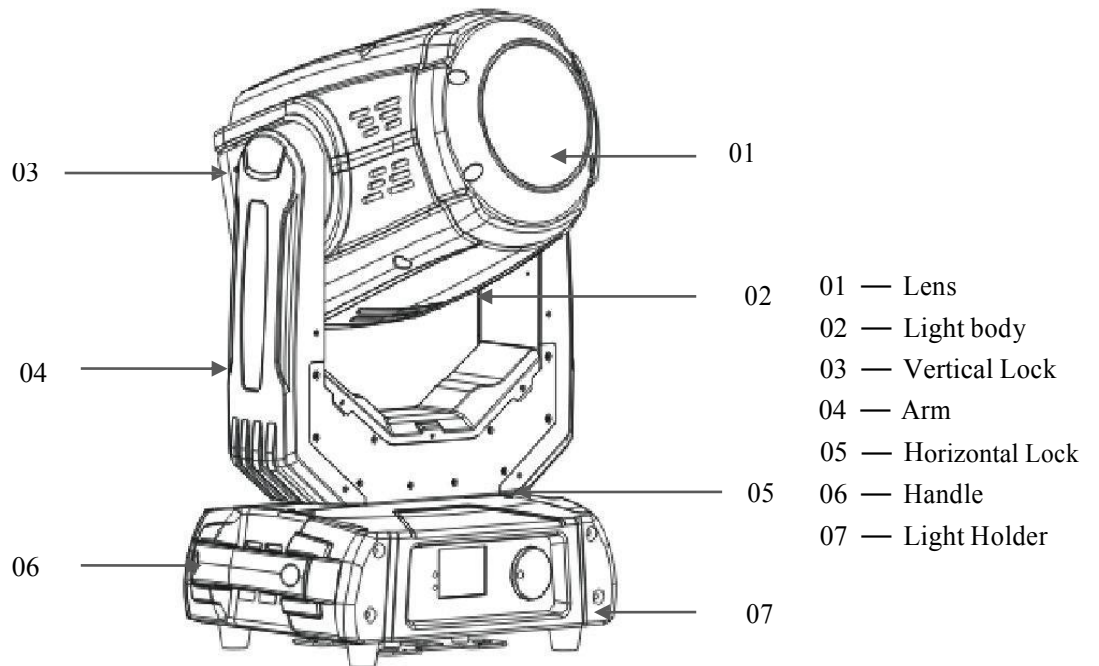
This moving head lights are widely used in television, disco, dance halls, nightclubs, large-scale performances and other professional venues.

2.Fixture Size

Size : 388 (L) ×268 (W) ×591 (H) mm



3. Product Part Note



4.Safety Warning Information

This product is only suitable for professional use, and does not apply to security for other purposes. After you get the lights, please check the package whether have any damage caused by transportation. If there is any damage, do not use this fixture, and please contact the dealer or manufacturer as soon as possible.

This product is only suitable for indoor, IP20 protection level. Lamps should be kept dry to avoid moisture, overheating or dusty environment. Prevent lamps come into contact with water or any other liquid. The use of this product should pay attention to: fire, heat, electric shock, ultraviolet radiation, the lamp to explode or shedding caused serious or fatal injury.

Need to read the instructions before use energized or installing. Follow through the operation of security methods and pay attention to the warning signs on the specification and equipment. If you have any problem for how to safely operate the equipment. Please contact your dealer.

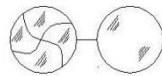
4.1 ANTI-HIGH TEMPERATURE



Ta =40°C

Please don't use the equipment if the temperature above 40°C

4.2 BURST PREVENTION



The lens should be changed if had damaged or any problems. Don't change the non-original manufacturer lens.

Lens size : $\Phi 74 \times 30$ mm.

4.3 TO PREVENT FALLING WOUNDING



- *Please don't move the package by one person only.
- *When hang the fixture, please must verify that the facilities to be able to withstand the weight of the lamps at least 10 times more.
- *Please make sure the Mounting hardware is strong enough no any damage, and insurance for the safety rope as auxiliary security fixed in other facilities will need to verify before installation. Installing or removing the equipment, to make the pulley below the work location

4.4 UA PROTECTION AND THE BULB EXPLOSION

- *Prohibit straight viewpoint with exposed bulbs to avoid UV damage to the eyes;
- *Do not use the equipment without the lens screen and the lid;
- *The lens and the light head covers should be timely replaced if any damage to rupture
- *The Fixture should be used with the protection screen together.

4.5 PREVENTION OF ELECTRIC SHOCK

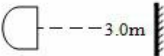


The electrical connection must only be carried out with corresponding qualifications;
 Before installing, make sure you use the power voltage lamps must comply with the identified power, voltage and have an overload or leakage protection;
 Each lamp must be properly grounded, installed in accordance with the relevant standards;
 Cut off the power when stall or replace the lamp and the fuse;
 Prohibit the use of a lightning storm or wet environment.



4.6 TO PREVENT BURNING OR FIRE



1. The fixture can be mounted directly on the surface of ordinary combustible material.
2. Do not short-circuit temperature protection switch or fuse, use the specified type of fuse.
3. The equipment must be installed away from inflammable and explosive materials.
4. The equipment should be projected range of 3 meters away objects and projectiles temperature less than 60 ° C; --- 3.0m. 
5. Fan or ventilation, at least in the range of 0.5 meters can not be an obstacle.
6. Do not place any object on the lens.
7. Handling at least allow the device to cool for 20 minutes.
8. Do not replace the non-original parts



4.7 TRANSPORT PROTECT LOCK

In order to protect the light, there is a protect lock; During the transport , the lock will closed keeping the item in safety state.

4.8 ABOUT PACK LIGHT

1. Before packed, make sure power is off, and wait for at least 20mins for cooling down.
2. Before clean the fixture, make sure X, Y axis protect lock closed.
3. After packed by plastic bag, high-lift the fixture with two handles besides the product. put the product into the fly-case up-side-down.
4. After packed the product, put the accessory into the accessory case, then closed and lock the fly-case.
5. Fly-case only up stacked two layers. Prohibited upside down
6. When packed with carton box, equipment should be put into the foam first, then set into a

carton, pay attention to the vertical position.



4.9 UNPACKING

Note: Before unpacking check the damage is whether due to the transportation or not, if you find any such damage, please do not use this item, and contact with the dealer or manufacturer as soon as possible.

1. Open the fly-case, and discover the inside plastic bag.
2. High-lift the product by two handles beside the bottom base and move it out.
3. Before power on, make sure you have opened the X, Y axis lock!

WARNING



Fixture must use two fixing devices, and make sure the fixing device have locked! And only fully clockwise rotate 90 ° can lock the hang fixture! Do remember plus a safety rope, and do not connect the safety rope to plastic handle. It should be connect to the hole on the base!

Attention! One product only can accept one input one output.



DMX512 cable must use the professional shielded twisted pair cable; standard loudspeaker cable is not reliable to control the long-range data. 24AWG cable is suitable for more than 300 meters long-distance signal transmission and must add DMX 512 signal amplifier.

Do not use two outputs to separate the connection, if separate a continuous connection to branch, DMX512 splitter is necessary.

Attention! Do not overload the connection. One continuous connection can only connect up to 32



devices.

If use the DMX512 splitter. At first connect DMX512 Splitter input terminal to controller .And then connected from the splitter output terminal to next device.

Do as above guide to connect other device, and finally coupled with terminal insertion

5. Packing And Shipping

280w Beam Spot light is packed with fly-case of one in one ,two in one ,or carton box.

Attach follow accessory.

ACCESSORY

Name	Quantity
User Manual	1PCS

Safety Rope	1PCS(need pay)
Light Hook	2PCS
Signal Cable	1PCS

6. Alternating Current Power Supply

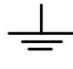
6.1 VOLTAGE, POWER, FUSE SPECIFICATION

Input Voltage	Total Power	Frequency
100~240V	470	50/60H
Fuse Voltage	Current	Specification
250V	6A	5 × 20

6.2 POWER PROTECT

The equipment must be operated by professionals; Make sure that the voltage of power supply must be comply with the voltage identified on the lamp, and must have an overload or leakage

Electrical protection.

Live Wire(L)	Null(N)	Ground Wire	
Red	Green	Yellow & Green	

7. Lamp

7.1 280W BEAM SPOT LAMP INTRODUCE

Lamp Model	Power Of Lamp	Life/Hour	Color Temperature
OSRMA	280w	2200 Hours	9300



WARNING! There is a safety hazard or damage if install similar bulb To reduce the risk of damage to light ,do change the lamp before using time over 125% of lamp life .

7.2 280W BEAM SPOT LAMP REPLACE



Attention! When replace the lamp is forbidden to touch lamp with bare hand, to avoid the greasy dirt stains filament. filament must be kept clean.

1. Disconnect the power.
2. Use cross screwdriver to open the light body cover;



3. After remove the light body cover, you can see the lamp clearly. Before replace lamp, fixture need 20 minutes for lamp cooling. Fasten the head with Y axis protect lock in 60 ° position.



4. Open stainless steel tablet holder with one hand and the use other hand to pull out the bulb at oblique 15 °



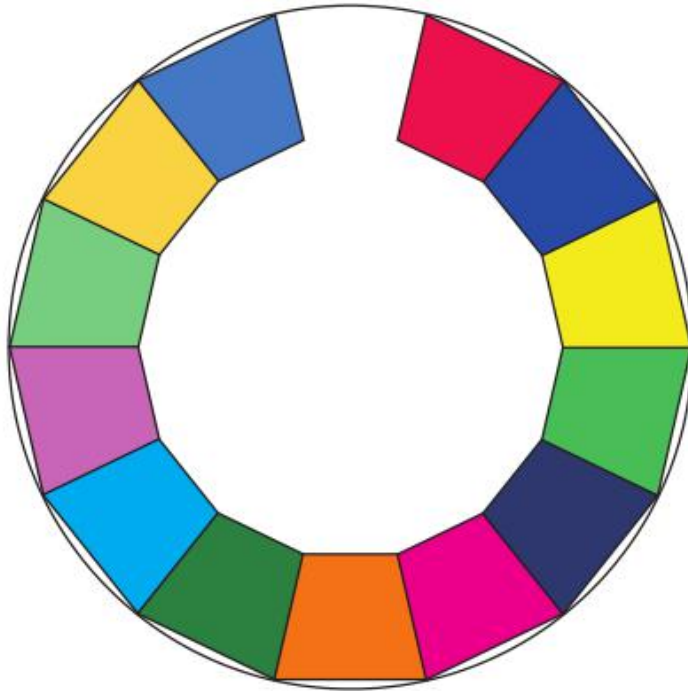
5. After you remove the lamp, check whether is the lamp clean, use the clean rag to wipe the lamp, make sure the light is with better light output.



6. Install the lamp.

8.Color Wheel And Gobo Wheel Describe

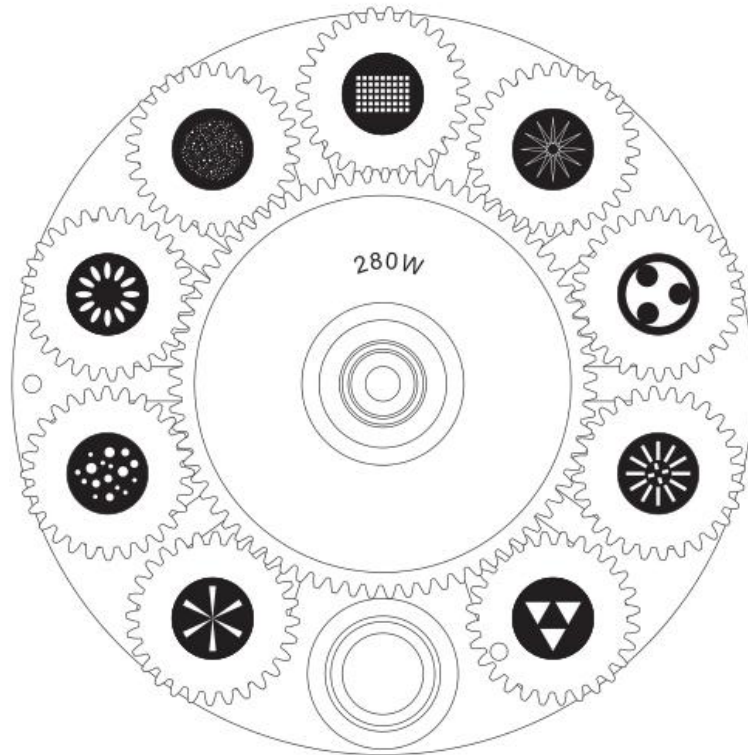
280w Beam Spot light adopts 13 colors+white, colors are pure and with great effect.



280w Beam Spot light is with 14 fixed gobo wheels+ white,abundant patterns with 8 prisms or 6 prisms will create amazing effect.



280w Beam Spot light is with 9 rotation gobo wheels +white,gobo wheels run smooth and easy to change.



280w Beam Spot light adopts innovative 6 prisms and traditional 8 prisms. Prisms and Gobos with focus ,rotate,zoom & shake effects,rotate speed can be adjust.

9.Control Panel



Display Screen: mainly display product information date;

Control Wheel: with turn left,turn right and enter three functions;

Turn Left : increase date,roll the menu ;

Turn Right : decrease date,roll the menu ;

Enter : confirm.

10. Control Panel Operate

Main Menu :	Sub menu 1	Sub menu 2	Function Setting	Function Introduce
DMX address setting			001-512	DMX address setting
Display Setting	Reverse Display		Normal	Normal display
			Inversion	Reverse display
	Language Setting		Chinese	Chinese display
			English	English display
	Brightness Setting		000-255	Brightness setting
	Light delay time		60s	Display light 60s
			Light	Display light always
	Return menu		90s	Display light 90s, then return main menu
			Close	Menu don't return
	Flicker		Open	Display flicker when no signal
Close			No flicker when no signal	
Return		▲	Return main menu	

Parameter Setting	XY Setting	X Reverse	Close	Horizontal scan normal	
			Open	Horizontal scan reverse	
		Y Reverse	Close	Vertical scan normal	
			Open	Vertical scan reverse	
		XY Speed	Fast Speed	XY fast speed	
			Normal	XY normal speed	
			Slow Speed	XY slow speed	
		X Degree	360 degree	Horizontal 360°	
			540 degree	Horizontal 540°	
			630 degree	Horizontal 630°	
		Optical Couple Check	Close	Close XY optical couple check	
			Open	Open XY optical couple check	
		Return		▲	Return to main menu
		Shortest Route		Close	Color wheel and gobo wheel go shortest route
				Open	Color wheel and gobo wheel no go shortest route
		Full Color		Close	Color wheel with half color function

			Open	
	Channel Mode		Simplify	Simplify channel mode
			Standard	Standard channel mode
	Receive Mode		DMX	Light receive DMX signal
			Wireless	Light receive wireless signal
			Auto	Light auto run
	Running Mode		Master/Slave	Light receive outside signal control
			Sound Control	Light receive sound control
			Auto	Light auto run with built-in program
	Signal clear		Close	Keep signal date when no signal
			Open	Clear signal date when no signal
	Signal reset		Close	Not receive console signal reset
			Open	Receive console signal reset
	Return		▲	Return main menu
Lamp Setting	Lamp default		Close	Start light without power,the lamp is off
			Open	Start light without power,the lamp is on
	Hand control		Close	Manual control lamp off
			Open	Manual control lamp on
	Electronic control lamp		Close	Forbid outside signal control lamp
			Open	Open outside signal control lamp
	Use Time		0000-9999	Record lamp use time
	Clear Time		★	Input password,confirm
			Clear	Clear lamp use time
	Lamp Status		Off	Lamp is on
		On	Lamp is off	
Return		▲	Return main menu	
Information Inquire	Power-on hours		0000-9999	Record display panel working time
	Power-on times		0000-9999	Record display panel working times

	Fan 1		0000-9999	Display fan running speed 1
	Fan 2		0000-9999	Display fan running speed 2
	Panel Software		XMOA	Display panel software versions number
	Remaining Time		Limitless	No time limit
	Remaining Times		Limitless	No times limit
	Return		▲	Return main menu
Channel Control			CH00-CH40	Manual control each channel function
Assist Tool	Factory Setting		★	Input password,confirm
			Tune out	Reset factory setting
			Save	Save factory setting
	Default Setting		★	Input password,confirm
			Tune out	Reset default setting
	Zero Adjustment		★	Input password,confirm
			Zero adjustment 01-10	Set motor zero position
	Channel User-defined		Color wheel rotate 001	User-defined channel function
			000.....040	User-defined channel function
	Factory Setting		★	Input password,confirm
		Time limit	0000-9999	Light use time limit
		Times limit	0000-9999	Light use times limit
		Clear time	Clear	Clear working cumulative time
		Clear times	Clear	Clear working cumulative times
		Password 1	000-255	Password Modification 1
		Password 2	000-255	Password Modification 2
		Password 3	000-255	Password Modification 3
		Password 4	000-255	Password Modification 4
		X driving wheel	000-255	X driving wheel tooth number
		X driven wheel	000-255	X driver wheel tooth number

		Y driving wheel	000-255	Y driving wheel tooth number
		Y driven wheel	000-255	Y driven wheel tooth number
		Rectifier	Connect ground	Rectifier connect ground
			Connect 5V	Rectifier connect 5V
				Vertical turn angle setting
		Return	000-255	Return assist tool
	Checking Code	Checking code 1-10	Checking code 01...10	Setting date checking
	Return		▲	Return main menu
Channels			Channel 01..40	Display channel DMX value
Reset Status			Color wheel... zoom	Panel display status
	Return		▲	
Light Reset			Cancel	Not reset
			Execute	Light reset

Effect Reset			Cancel	Not reset
			Execute	Effect reset
XY Reset			Cancel	Not reset
			Execute	XY reset
Exit Menu			▲	Exit menu

11 Channels

24CHs	16CHs	DMX Value	Description
1	1	0 - 255	Pan
2	*	0 - 255	Pan fine
3	2	0 - 255	Tilt
4	*	0 - 255	Tilt fine
5	3	0 - 255	Pan Tilt speed adjust
6	4		Features
		0 - 19	Reserved
		20 - 24	Energy conservation mode (230W)
		25 - 129	Reserved
		130 - 139	Light up lamp by console
		140 - 149	Pan Tilt reset
		150 - 159	Reserved

		160 - 169	All motors reset
		170 - 199	Reserved
		200 - 209	All light reset
		210 - 229	Reserved
		230 - 239	Turn off lamp by console
		240 - 255	Reserved
7	5		Color wheel
		0 - 8	White
		9 - 17	Dark red
		18 - 26	Dark blue
		27 - 35	Yellow
		36 - 44	Green
		45 - 53	Magenta
		54 - 62	Cyan
		63 - 71	Red
		72 - 80	Sea green
		81 - 89	Amber
		90 - 98	Blue
		99 - 107	Orange
		108 - 116	TC32LT “converters”
		117 - 127	UV filter
		128 - 129	White+UV filter
		130 - 134	UV filter+TC32LT “converters”
		135 - 138	TC32LT “converters”+Orange
		139 - 143	Orange+Blue
		144 - 147	Blue+Amber
		148 - 152	Amber+Sea green
		153 - 157	Sea green+Red
		158 - 161	Red+Cyan
		162 - 166	Cyan+Magenta
		167 - 171	Magenta+Green
		172 - 176	Green+Yellow
		177 - 180	Yellow+Dark blue
		181 - 185	Dark blue+Dark red
		186 - 189	Dark red+white
		190 - 220	Change color from fast to slow
		221 - 250	Change color from slow to fast
		251 - 255	Random change color by sound control
8	*		Reserved
9	6	0 - 255	Speed of Rot. Gobo selection from max. to min.
	7		Fixed gobo

10		0 - 3	Reserved
		4 - 9	Gobo 1
		10 - 15	Gobo 2
		16 - 21	Gobo 3
		22 - 27	Gobo 4
		28 - 33	Gobo 5
		34 - 39	Gobo 6
		40 - 45	Gobo 7
		46 - 51	Gobo 8
		52 - 57	Gobo 9
		58 - 63	Gobo 10
		64 - 69	Small beam 1
		70 - 75	Small beam 2
		76 - 87	Small beam 3
			Gobo shaking from slow to fast
		88 - 95	Gobo 1
		96 - 103	Gobo 2
		104 - 111	Gobo 3
		112 - 119	Gobo 4
		120 - 127	Gobo 5
		128 - 135	Gobo 6
		136 - 143	Gobo 7
		144 - 151	Gobo 8
		152 - 159	Gobo 9
		160 - 167	Gobo 10
		168 - 175	Small beam 1
		176 - 183	Small beam 2
		184 - 199	Small beam 3
		200 - 255	Fixed gobo change from slow to fast
11	8		Rotation gobo
		0 - 8	Reserved
		9 - 17	Gobo 1
		18 - 26	Gobo 2
		27 - 35	Gobo 3
		36 - 44	Gobo 4
		45 - 53	Gobo 5
		54 - 62	Gobo 6
		63 - 71	Gobo 7
		72 - 80	Gobo 8
		81 - 89	Gobo 9
			Gobo shaking from slow to fast
	90 - 97	Gobo 1	

		98 - 106	Gobo 2
		107 - 115	Gobo 3
		116 - 124	Gobo 4
		125 - 133	Gobo 5
		134 - 142	Gobo 6
		143 - 151	Gobo 7
		152 - 160	Gobo 8
		161 - 169	Gobo 9
		171 - 179	Keep Gobo 9
		180 - 217	Rotation gobo change from fast to slow
		218 - 255	Rotation gobo change from slow to fast
			Rotating Gobo indexing and rotation
12	9	0 - 127	Index
		128 - 177	Anticlockwise Gobo change from slow to fast
		178 - 203	Stop
		204 - 255	Clockwise Gobo change from fast to slow
13	*	0 - 255	Reserved
			Prism indexing and rotation
14	10	0 - 19	Reserved
		20 - 49	6 facet linear prisms index
		50 - 75	6 facet linear prisms rotation
		76-105	8 facet circular prisms index
		106 - 127	8 facet circular prisms rotation
		128 - 255	Macro functions
			Prism Rotation
15	11	0 - 127	Index
		128 - 191	Clockwise rotation from fast to
		192 - 193	Stop
		194 - 255	Anticlockwise rotation from slow
16	12		Frost
		0 - 64	Reserved
		65 - 255	0-100%Linear frost
17	13		Zoom
		0 - 255	Linear zoom
18	*	0 - 255	Linear fine
19	14	0 - 255	Focus
20	*	0 - 255	Focus fine
21	*	0 - 255	Reserved
22	15		Strobe

		0 - 31	Close strobe
		32 - 63	Open strobe
		64 - 95	Strobe from slow to fast
		96 - 127	Open strobe
		128 - 143	From fast to slow,close slow and open fast
		144 - 159	From slow to fast,open fast and close slow
		160 - 191	Open strobe
		192 - 223	Random strobe from slow to fast
		224 - 255	Open strobe
23	16		Dimming
		0 - 255	Linear dimming
24	*		Reserved

Specifications subject to change without notice.

If have questions,please contact the dealer.